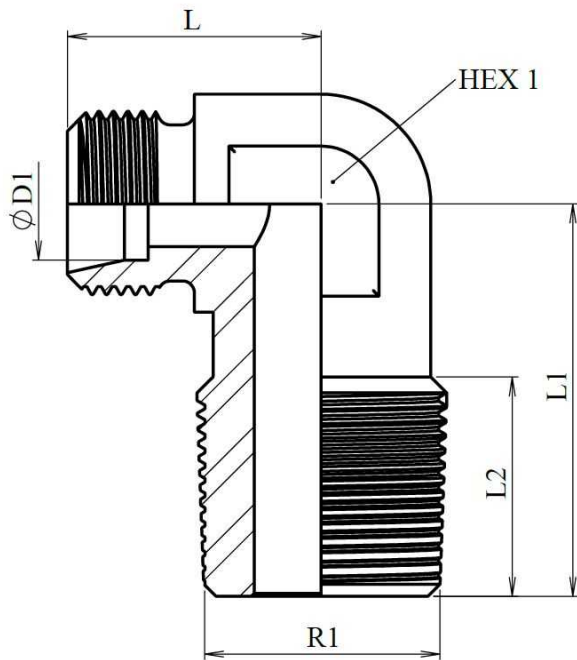


**Male stud elbow BSPT only body**

Part n°	ØD1	Serie	R1	Working Pressure (bar)	L	L1	L2	HEX 1
Z STA CKL 6 R 1/8	6	L	1/8 BSPT	315	19	20	8	12
Z STA CKL 6 R 1/4	6	L	1/4" BSPT	315	19	26	15	14
Z STA CKL 8 R 1/8	8	L	1/8" BSPT	315	21	21	8	12
Z STA CKL 8 R 1/4	8	L	1/4 BSPT	315	21	26	12	12
Z STA CKL 8 R 3/8	8	L	3/8 BSPT	315	21	28	12	19
Z STA CKL 8 R 1/2	8	L	1/2" BSPT	315	21	34	19	19
Z STA CKL 10 R 1/8	10	L	1/8" BSPT	315	22	20,5	8	14
Z STA CKL 10 R 1/4	10	L	1/4 BSPT	315	22	27	12	14
Z STA CKL 10 R 3/8	10	L	3/8 BSPT	315	24	28	12	17
Z STA CKL 10 R 1/2	10	L	1/2 BSPT	315	22	34	19	19
Z STA CKL 12 R 1/4	12	L	1/4 BSPT	315	24,5	28	12	19
Z STA CKL 12 R 3/8	12	L	3/8 BSPT	315	24	28	12	19
Z STA CKL 12 R 1/2	12	L	1/2 BSPT	315	24	34	19	19
Z STA CKL 15 R 3/8	15	L	3/8" BSPT	315	28	30	12	19
Z STA CKL 15 R 1/2	15	L	1/2 BSPT	315	28	34,5	14	19
Z STA CKL 18 R 1/2	18	L	1/2 BSPT	315	31	35,5	18,5	24
Z STA CKL 22 R 3/4	22	L	3/4 BSPT	160	35,5	37,5	16	27
Z STA CKL 28 R 1	28	L	1" BSPT	160	38	49,5	18	36
Z STA CKL 35 R 1 1/4	35	L	1" 1/4 BSPT	160	45	54	20	41
Z STA CKS 6 R 1/4	6	S	1/4 BSPT	630	23	26	12	12
Z STA CKS 8 R 1/4	8	S	1/4 BSPT	630	24	26	12	14
Z STA CKS 8 R 1/2	8	S	1/2" BSPT	630	24	34	19	19
Z STA CKS 10 R 1/4	10	S	1/4" BSPT	400	25	27	12	17
Z STA CKS 10 R 3/8	10	S	3/8 BSPT	400	25	28	12	17
Z STA CKS 12 R 3/8	12	S	3/8 BSPT	400	29	28	12	17
Z STA CKS 14 R 1/2	14	S	1/2 BSPT	400	30	32	14	19
Z STA CKS 16 R 1/2	16	S	1/2 BSPT	400	33	32	14	24

**Male stud elbow BSPT only body**

Part n°	ØD1	Serie	R1	Working Pressure (bar)	L	L1	L2	HEX 1
<b>Z STA CKS 20 R 3/4</b>	20	S	3/4 BSPT	400	37	42	16	27
<b>Z STA CKS 25 R 1</b>	25	S	1" BSPT	400	42	48	18	36
<b>Z STA CKS 30 R 1 1/4</b>	30	S	1" 1/4 BSPT	400	49	54	20	41
<b>Z STA CKS 38 R 1 1/2</b>	38	S	1" 1/2 BSPT	315	57	61	22	50